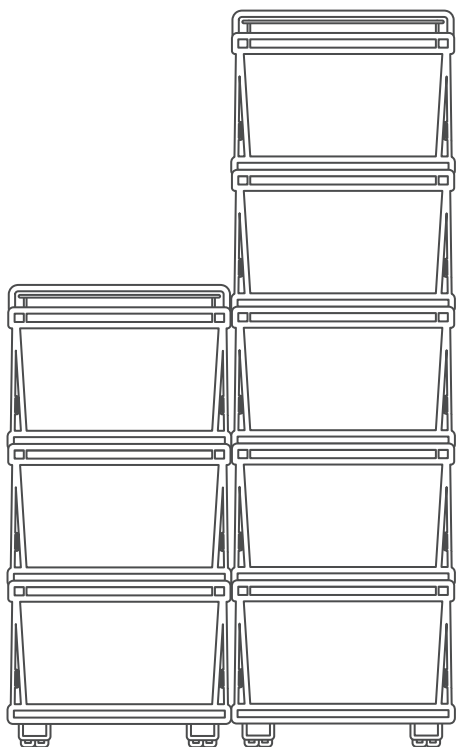


# Astage

Organizing the way to Organized.

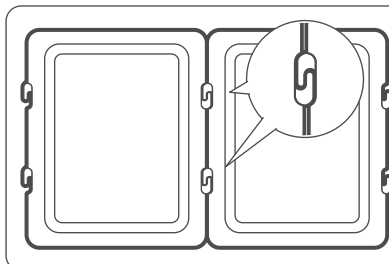
## Link & Lock

Expandable Drawer Unit



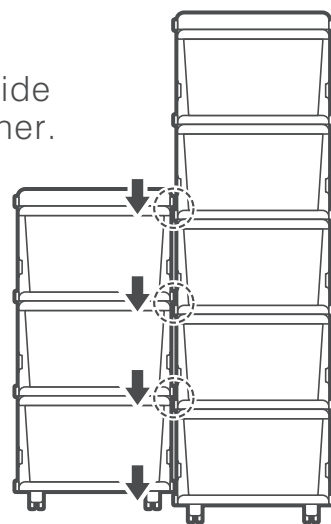
- Combine horizontally three-drawer units with five-drawer units for a customized storage setup.

### How to Link



- Equipped with connecting hooks that securely attach one unit to the next.

- Slightly lift one unit to slide connecting hooks together.



### Caution

- Keep away from fire or extreme heat.
- Use only on stable surfaces.
- Be careful not to pinch or catch fingers during assembly.
- Make sure the product is securely assembled before use.
- Meant for storage use only.
- Do not stand on the product or lean against the products.
- Do not drop or incur heavy shock to the product. It may cause damages.
- Do not stack up the products on top of each other.

**Size** | 3 drawers: 13-1/4" x 16-3/8" x 27"h

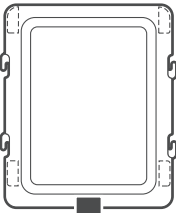
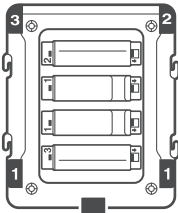
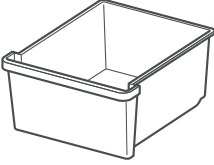
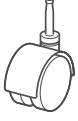
5 drawers: 13-1/4" x 16-3/8" x 42-1/2"h

**Loading Capacity** | Top Panel: 4.6lbs(2kg) / Drawers: 4.6lbs(2kg) \*each drawer

**Materials** | Top panel, Frames(posts), Drawers, Wheels:PP(Polypropylene)  
Wheel Anchor: Iron

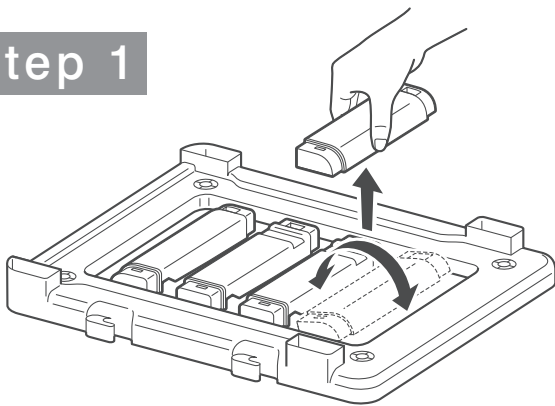
# LINK & LOCK - EXPANDABLE DRAWER UNIT | INSTRUCTIONS

Please review this instruction guide before use. Keep for future reference.

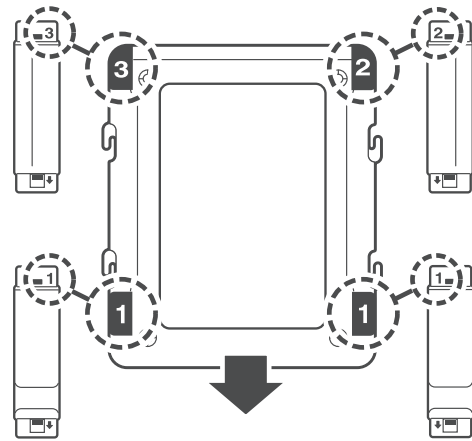
	Top Panel	Frames	Drawers	Wheels
Contents	Back  Front	Back  Front		
	3drawers	x1	x3	x4
5drawers	x1	x5	x5	x4

## How to assemble : 3 Steps

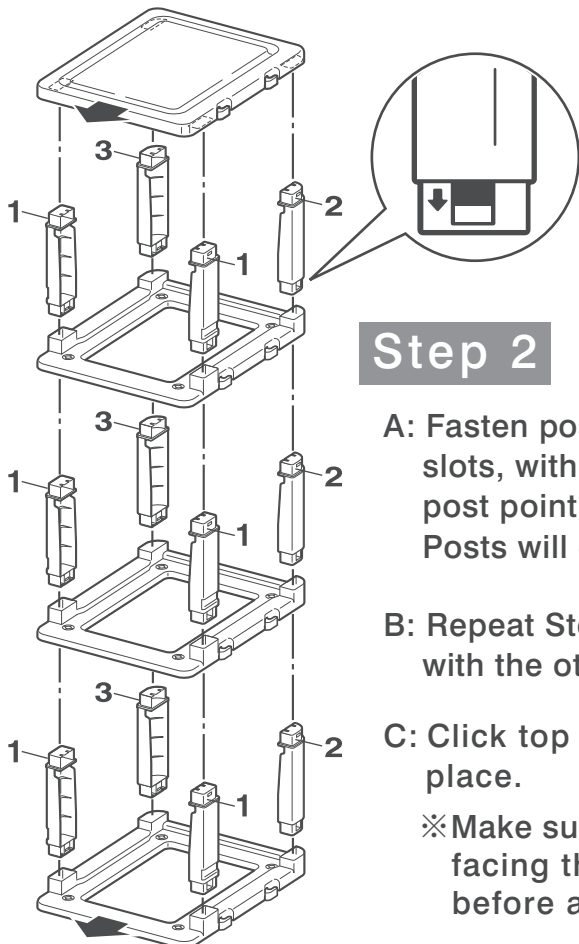
### Step 1



Detach the 4 posts from the frame.



Each post is numbered.



### Step 2

A: Fasten posts into frame's slots, with the arrow on each post pointing down. Posts will click into place.

B: Repeat Step 1 and Step 2-A with the other frames.

C: Click top panel of unit into place.

※ Make sure the top panel is facing the right direction before assembling.

### Step 3

Insert wheels into bottom of unit. Wheel rods will click into place. Insert drawers into the frame.

